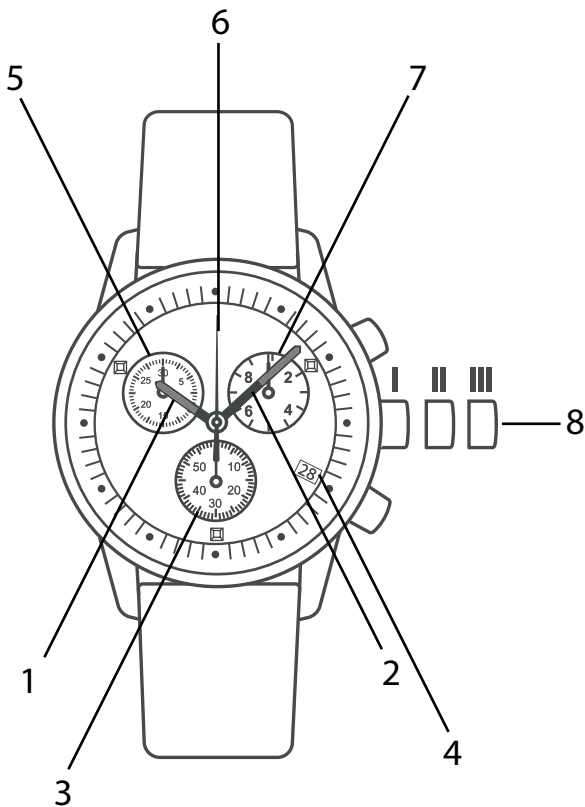




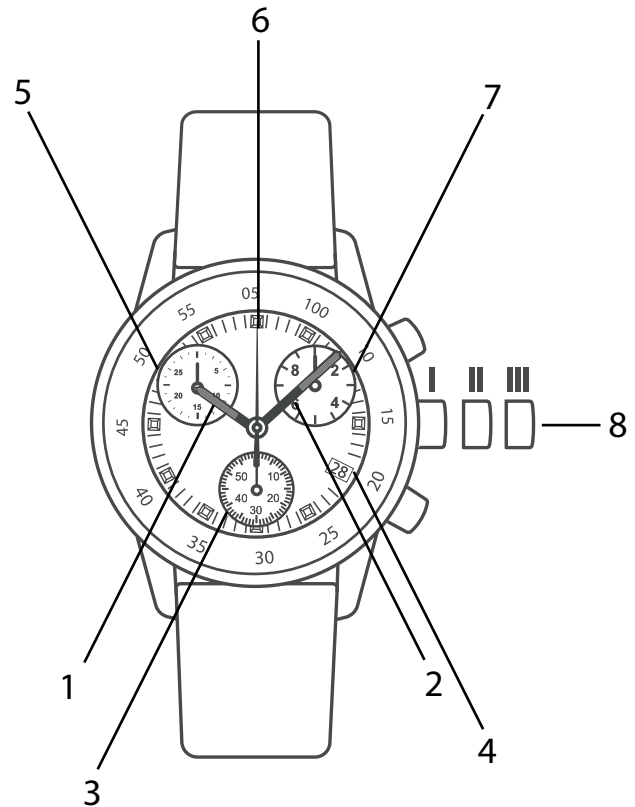
**L'HEURE
LUXE**
FABRIQUÉ EN SUISSE

Users Manual

CLASSIC CHRONO



PETITE CHRONO



- ❶ Hour hand
- ❷ Minute hand
- ❸ Seconds hand (direct-drive)
- ❹ Calendar
- ❺ 30-minute counter
- ❻ 60-second counter
- ❼ 1/10 second counte
- ❽ 3-position crown

I Neutral position (not pulled out)

II Synchronisation and date setting position (half pulled out)

III Time-setting position (fully pulled out)